

CMX3E

H 320 mm
D 650 mm
L 1020 mm



TECHNICAL DATA

Installation
Plug-in

3D

Temperature
+90°C

Glass type
Single glass

Opening system
Rear sliding double door

Lighting
Double LED 4000K

Configuration
-Mechanical control panel
-3 trays GN 1/1 x 65 mm
-1 shelf (195 x 1170 mm)

Capacity (gross/net)
172 / 38,6 L

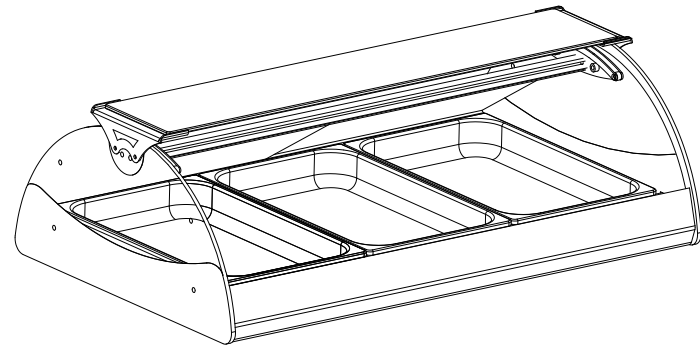
Weight
50 KG

Operating conditions
25°C / 60% RH (APROX)

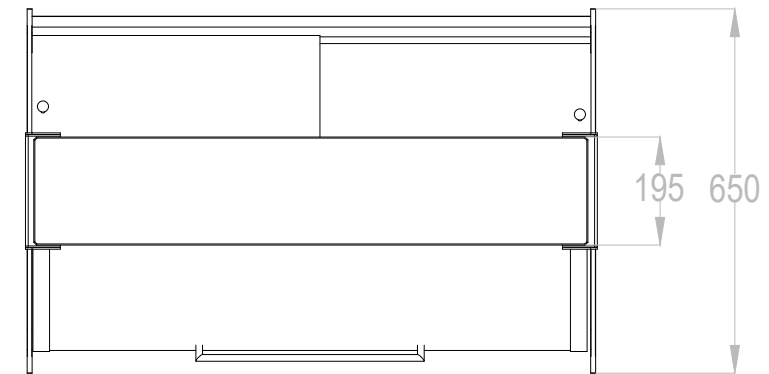
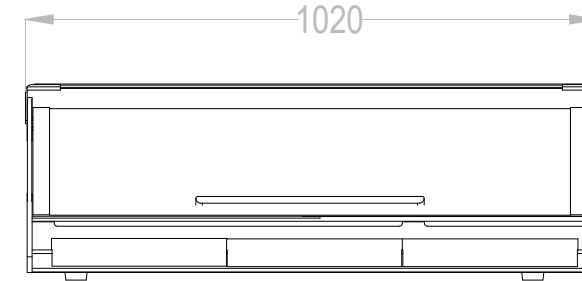
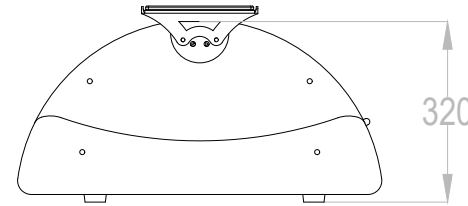
Electrical input
1220W

Power supply
230V / 50Hz

Openings (Rear/Front)
Yes / No



GENERAL SIZES



ELECTRIC DIAGRAM

