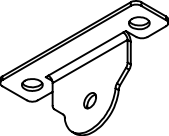
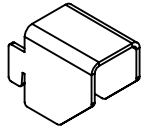
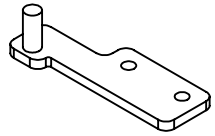
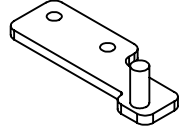
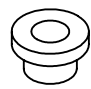
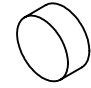

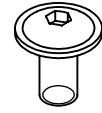
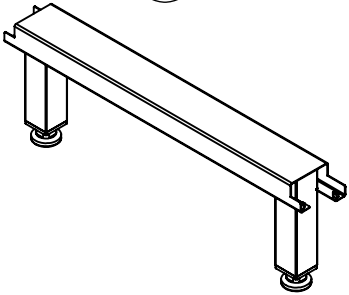
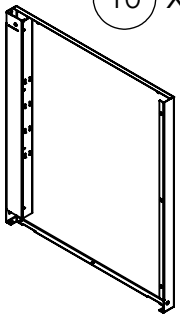
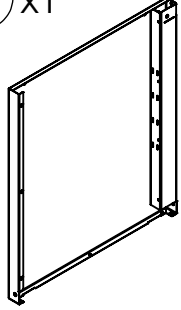
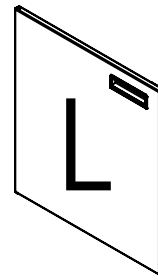
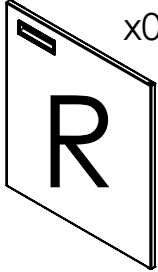
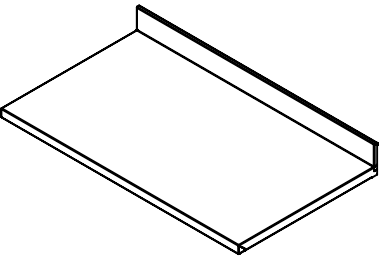
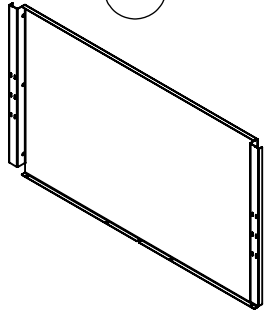
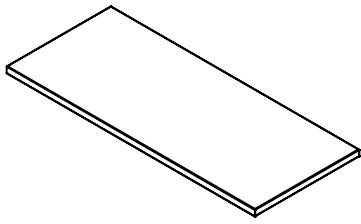
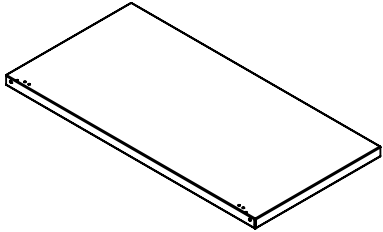
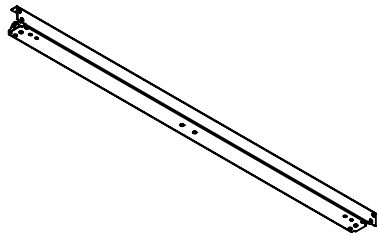
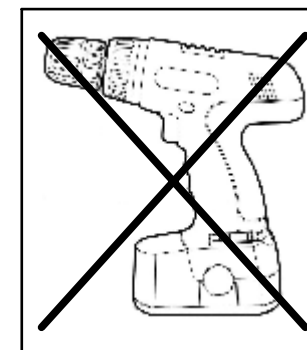
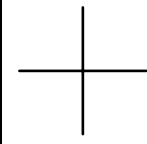
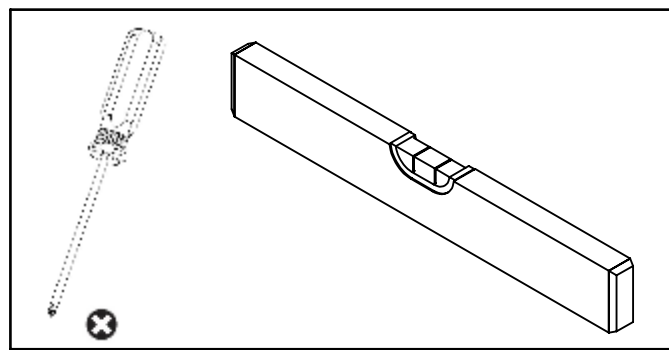
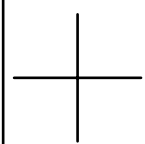
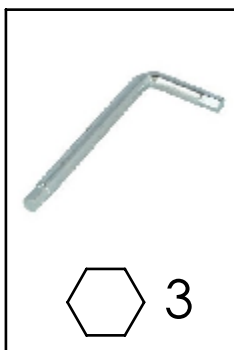


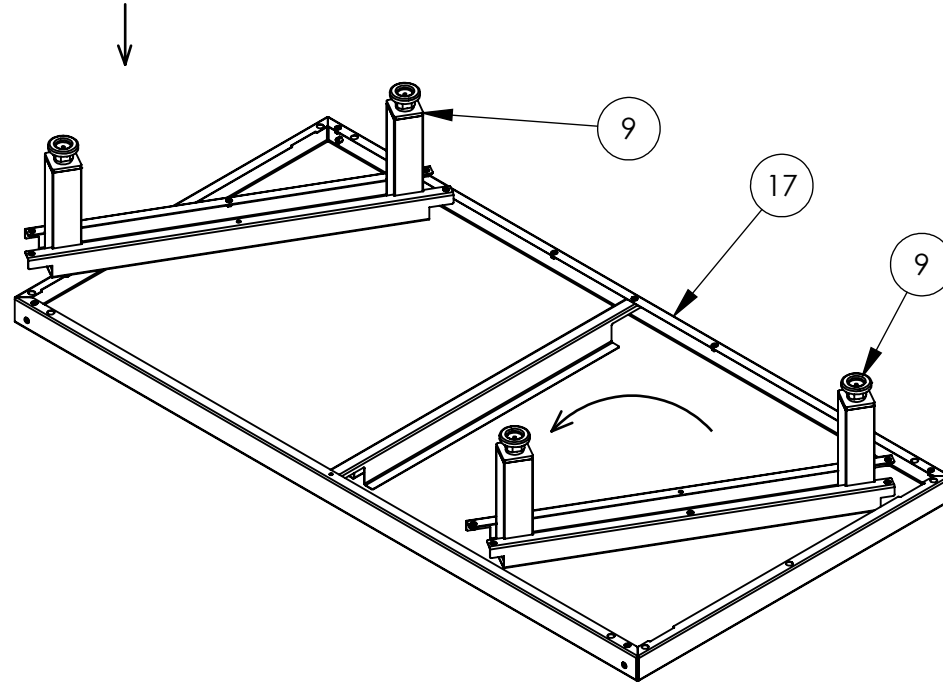
<p>① x1</p> 	<p>② x4</p> 	<p>③ x1 ≤600 x2 >600</p> 	<p>④ x1 ≤600 x2 >600</p> 	<p>⑤ x2 ≤600 x4 >600</p> 	<p>⑥ x1</p> 	<p>⑦ x1</p> 	<p>⑧ x40 =400 x41 =600 x46 >600</p> 
---	---	---	--	---	---	---	--

<p>⑨ x2</p> 	<p>⑩ x1</p> 	<p>⑪ x1</p> 	<p>⑫ x1</p> 	<p>⑬ x1 x0 =400 x0 =600</p> 
---	---	---	---	---

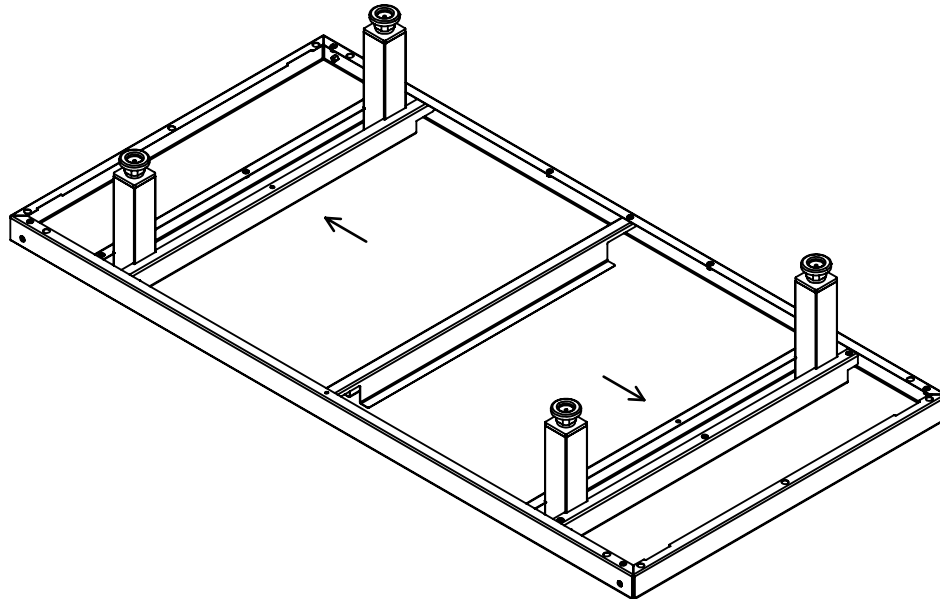
<p>⑭ x1</p> 	<p>⑮ x1</p> 	<p>⑯ x1</p> 	<p>⑰ x1</p> 	<p>⑱ x1</p> 
--	--	---	--	--



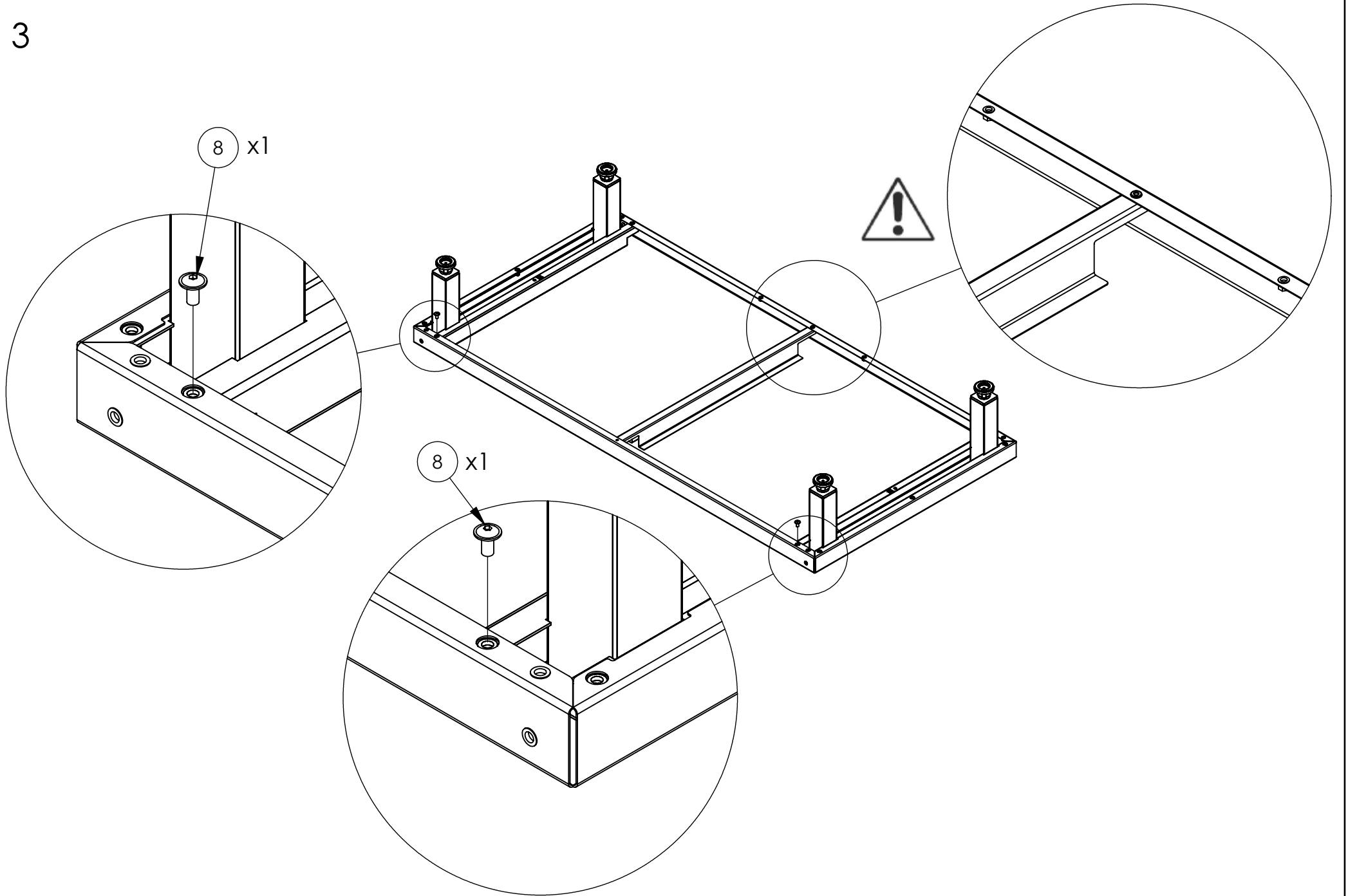
1



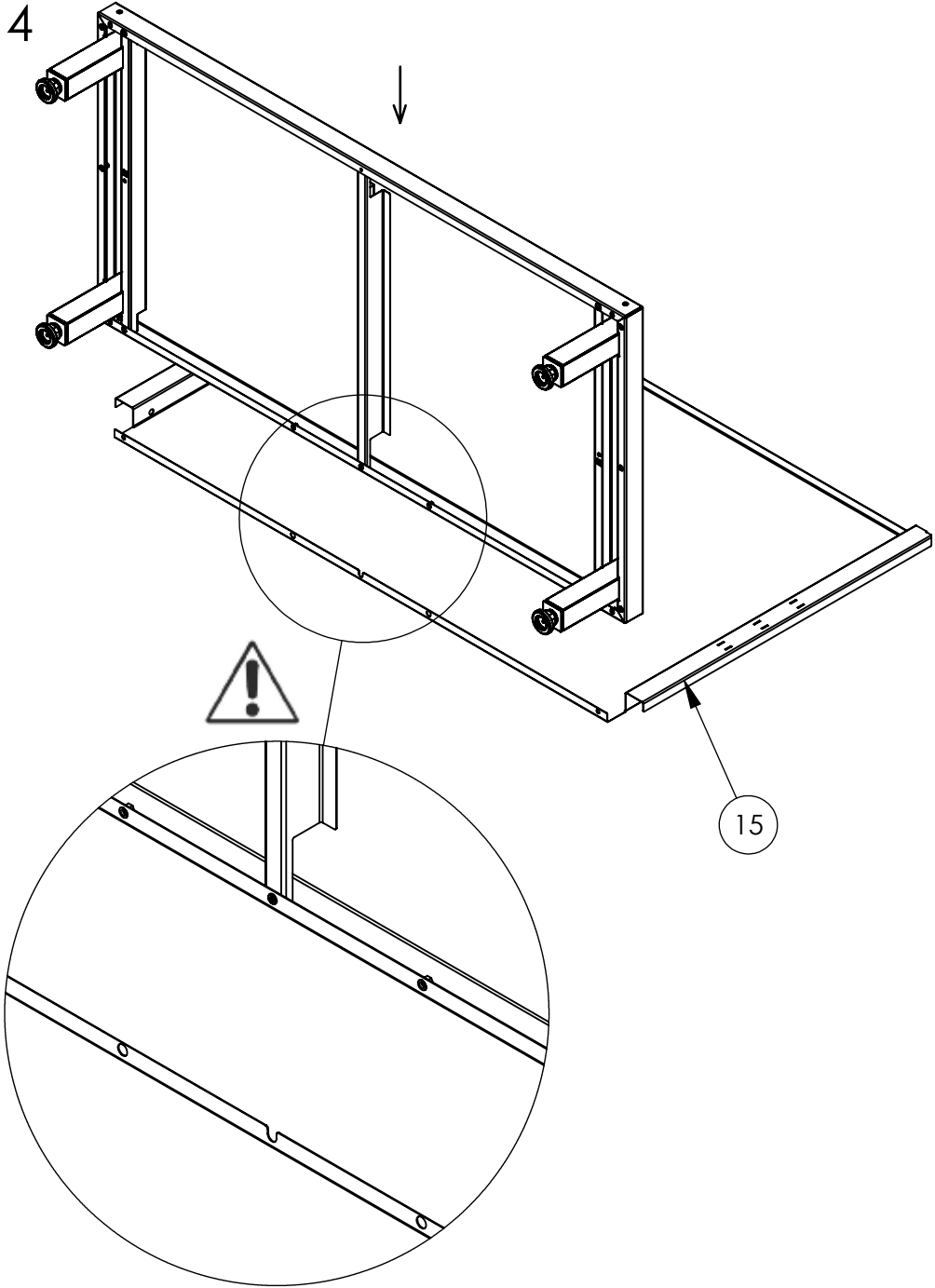
2



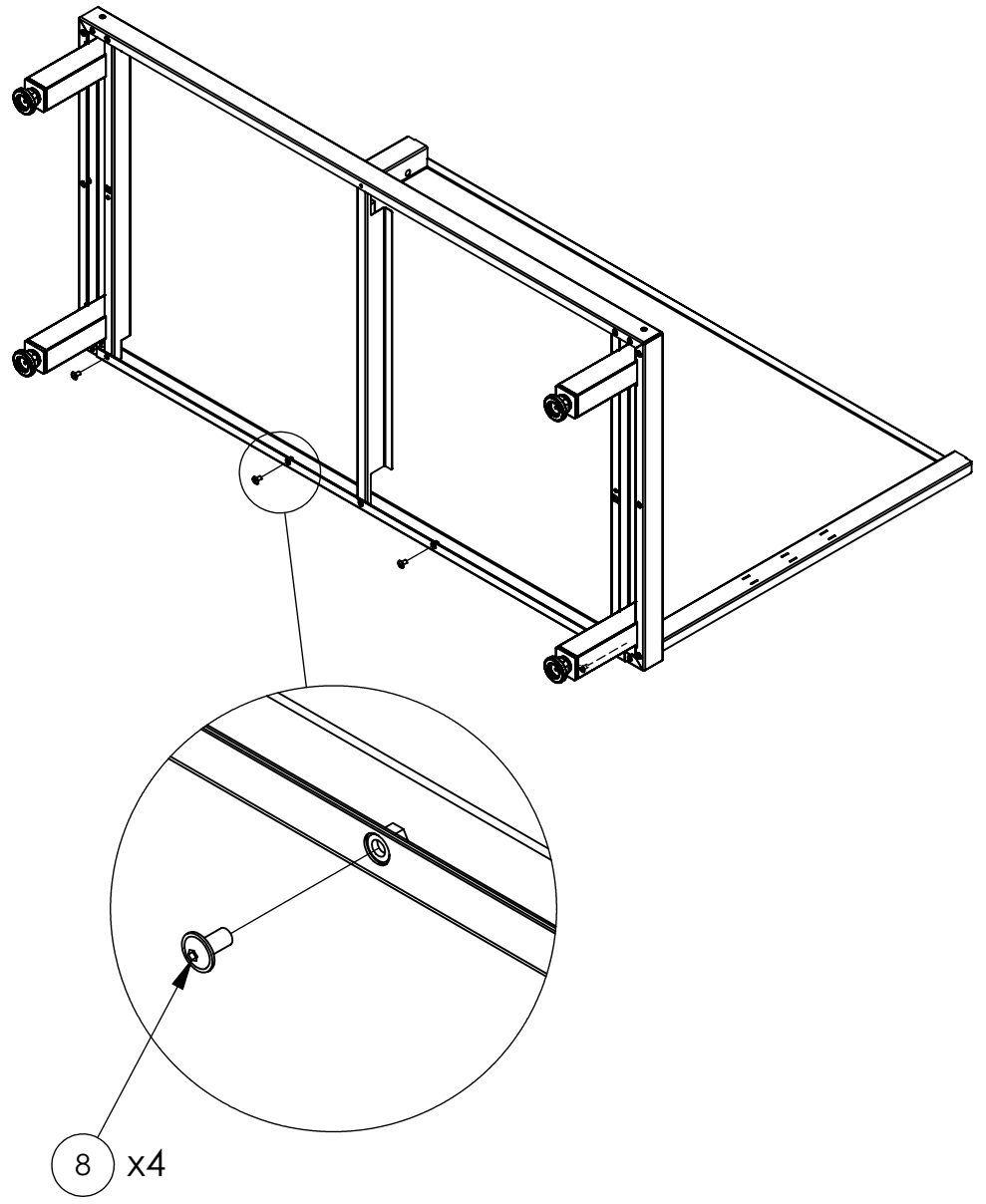
3



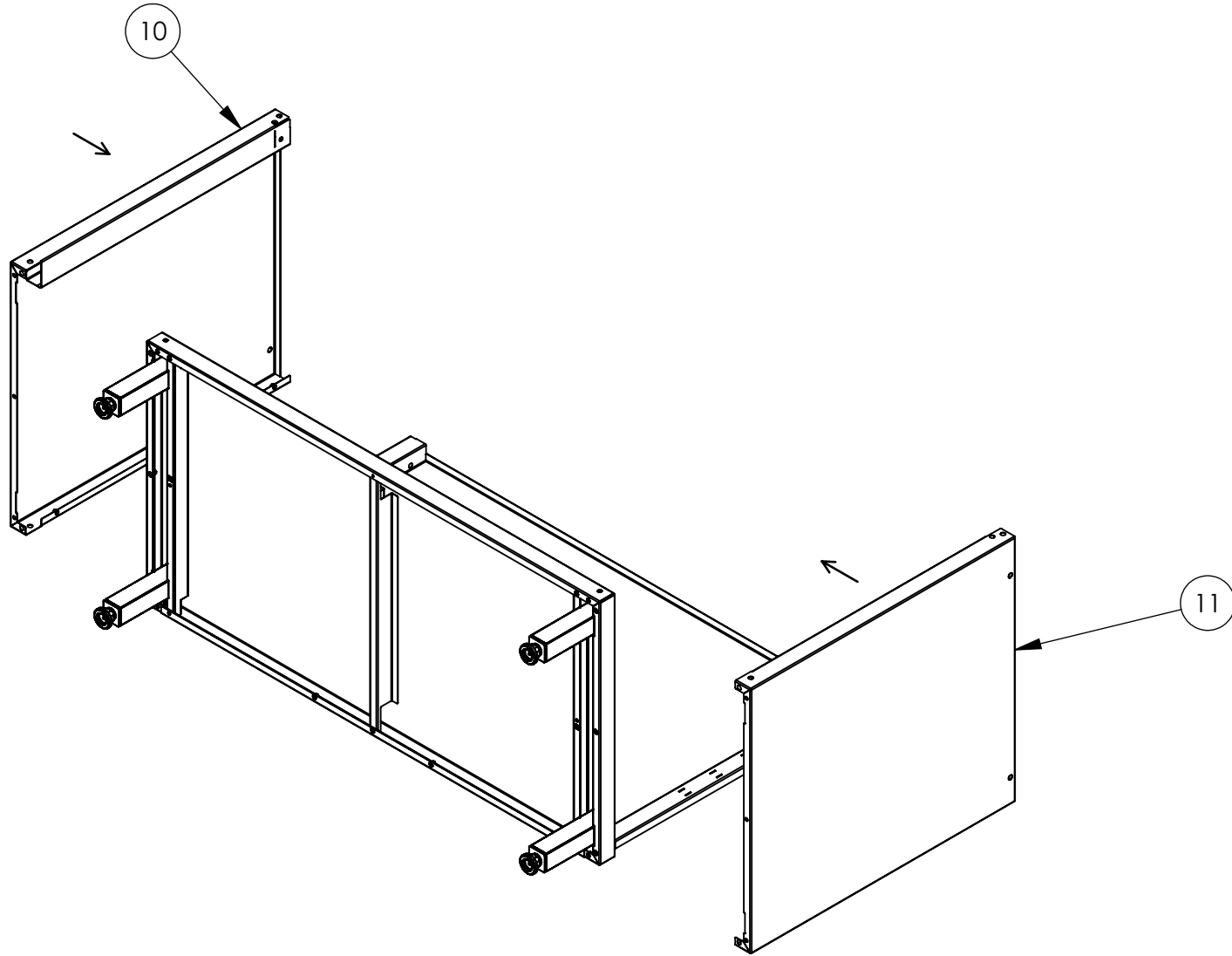
4



5

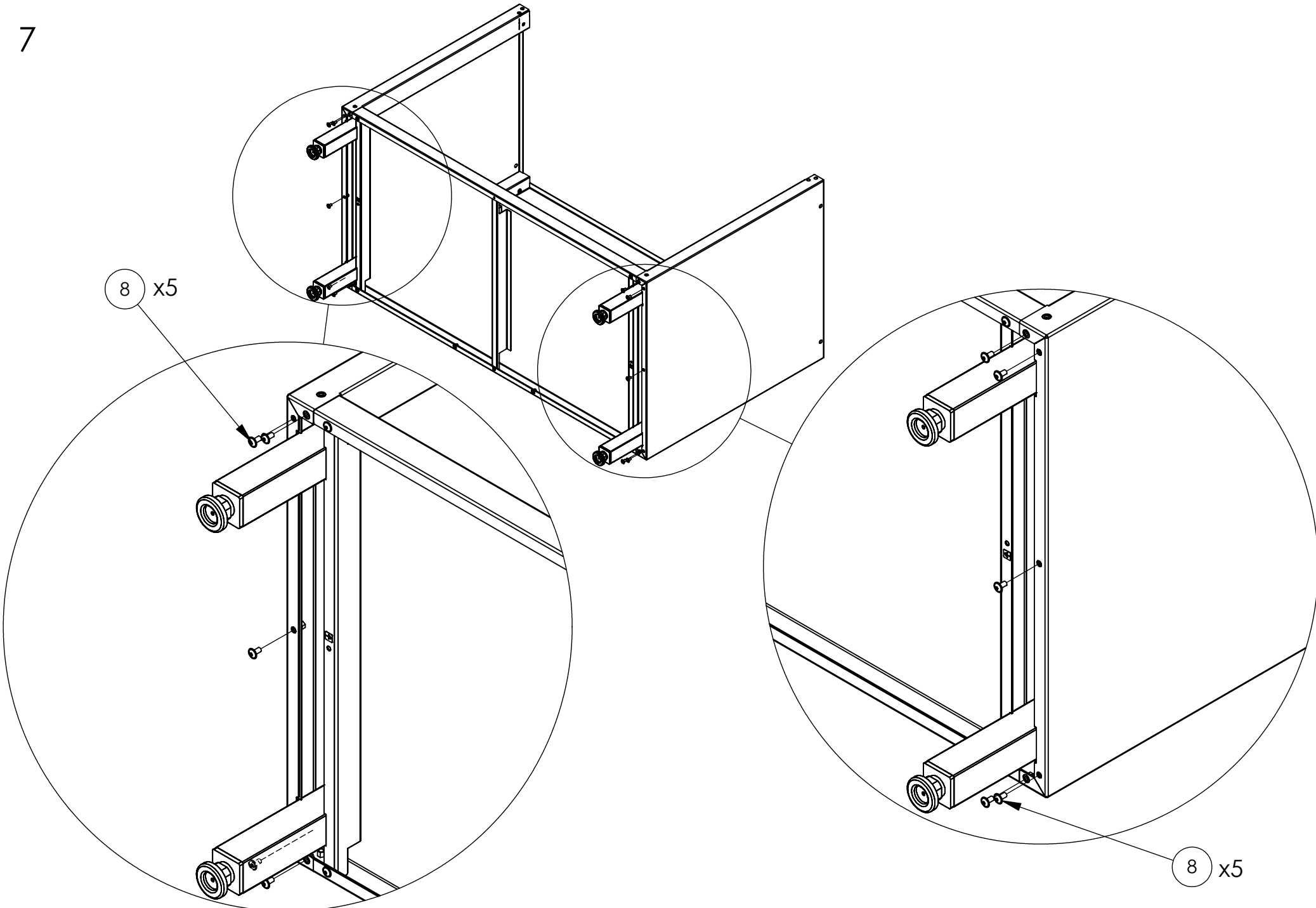


6



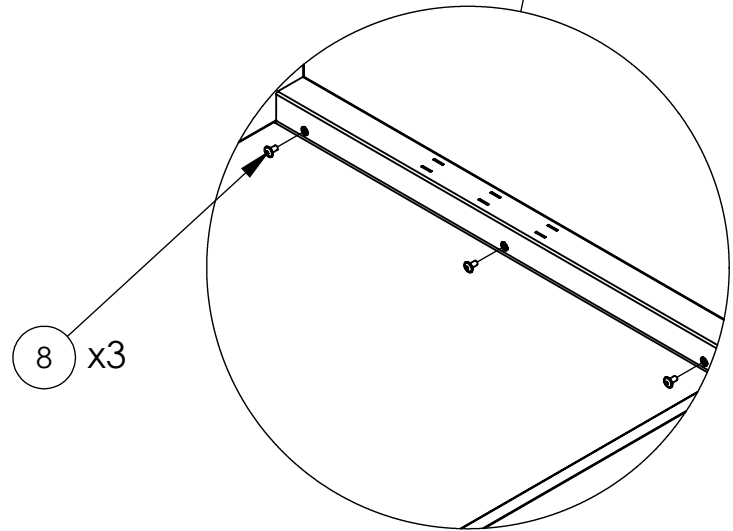
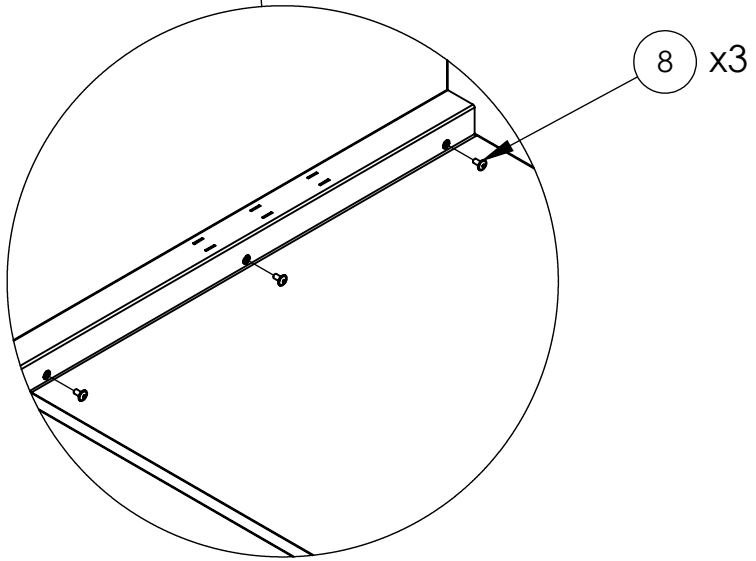
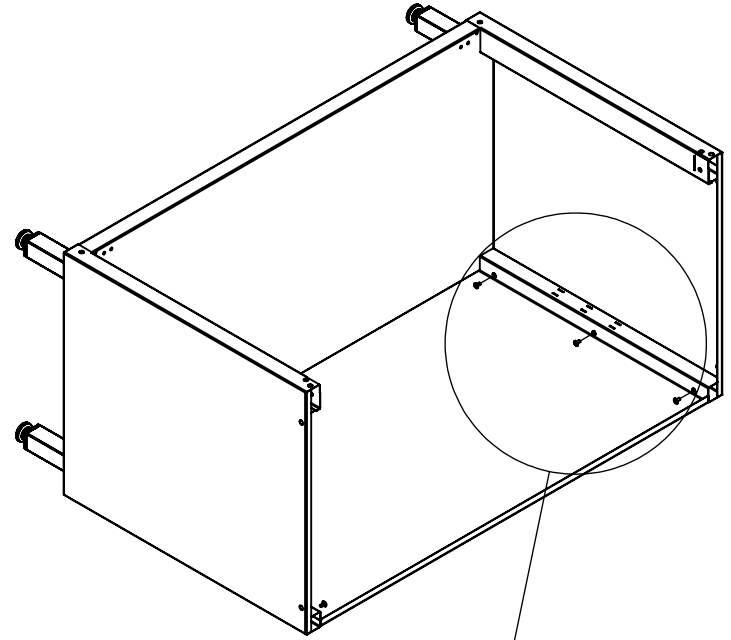
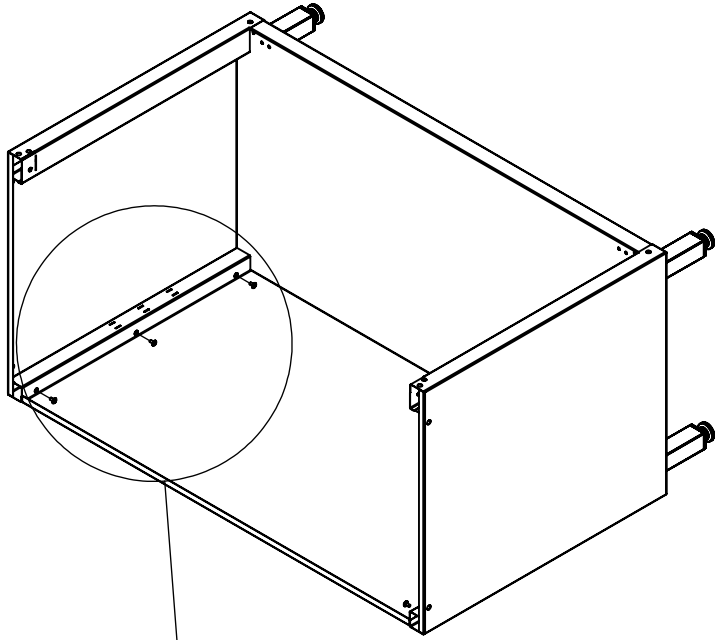
7

8 x5

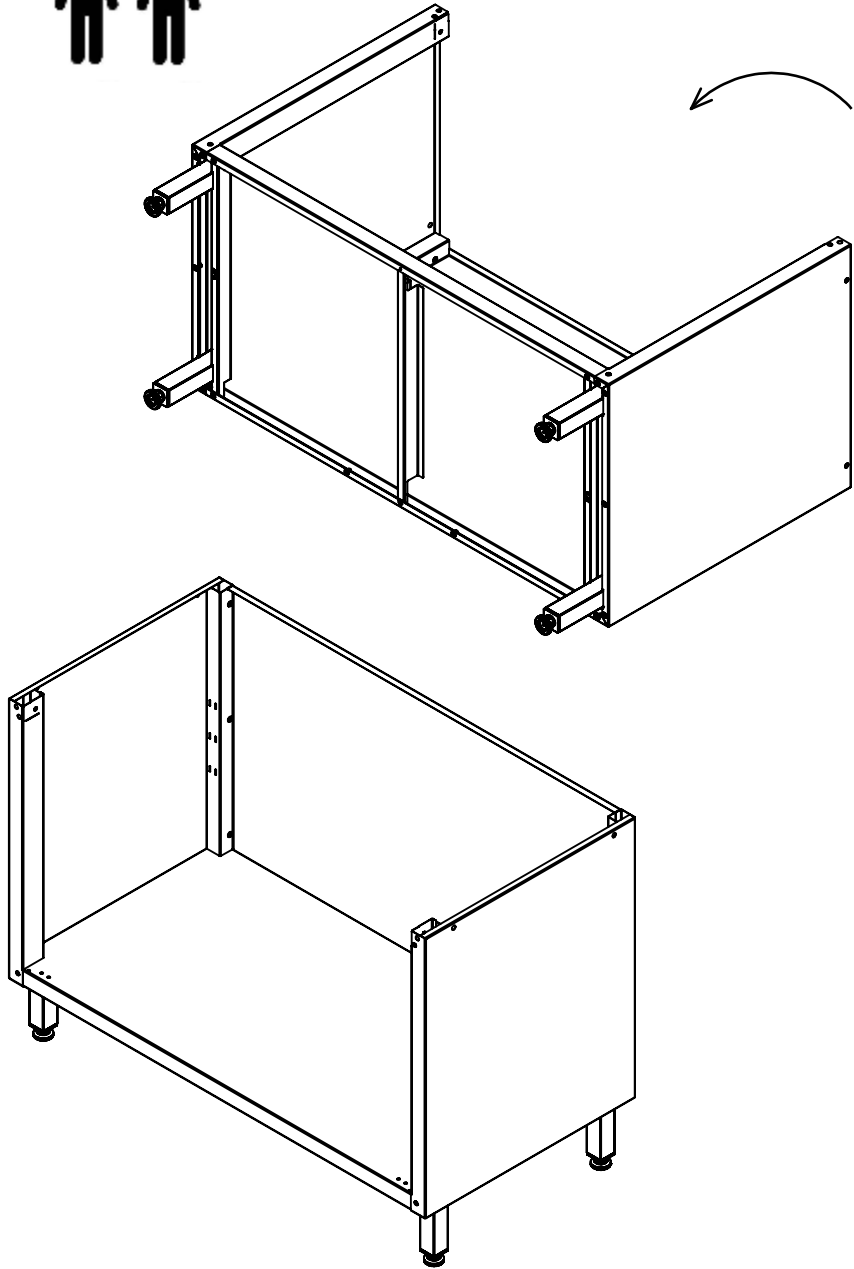


8 x5

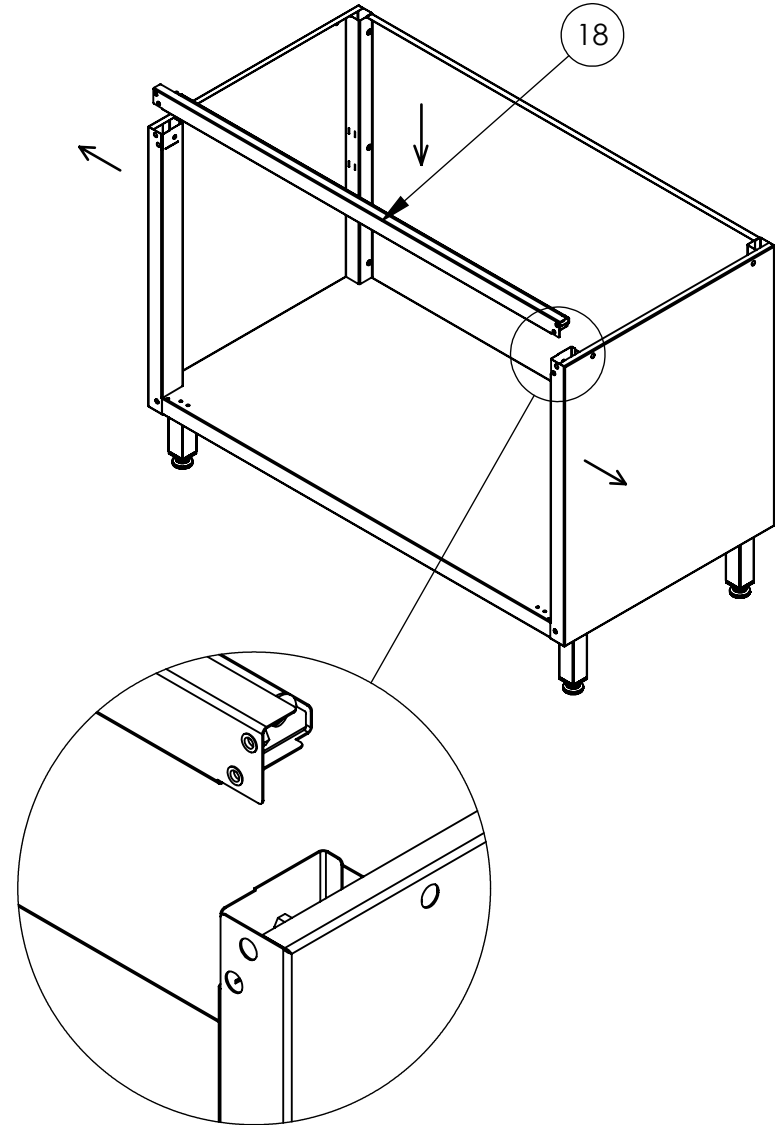
8



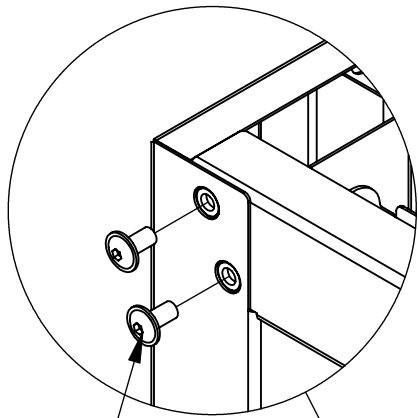
9



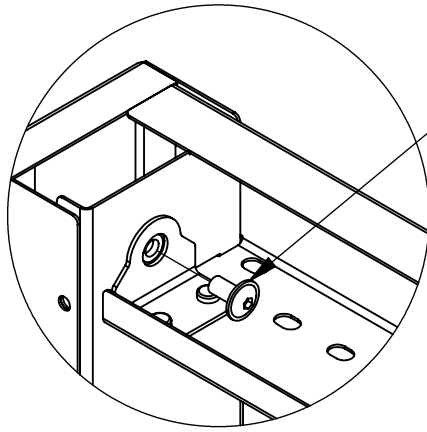
10



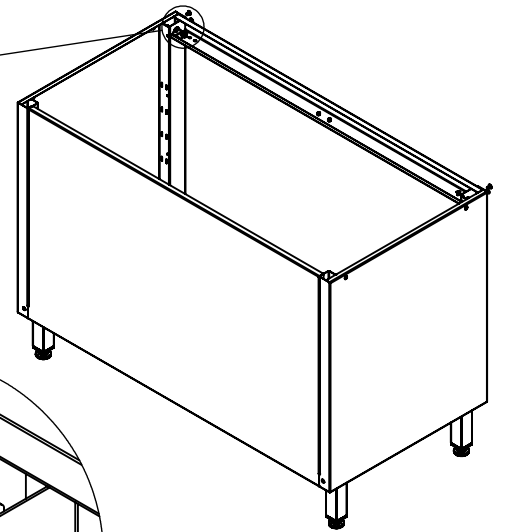
11



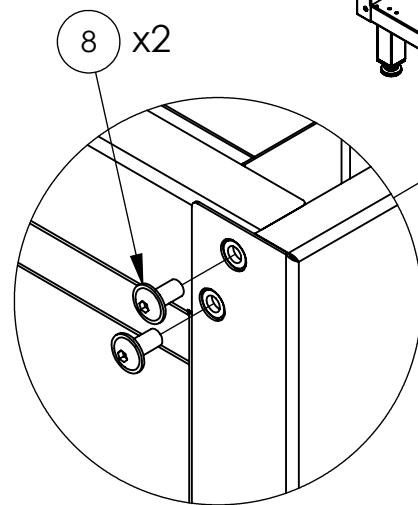
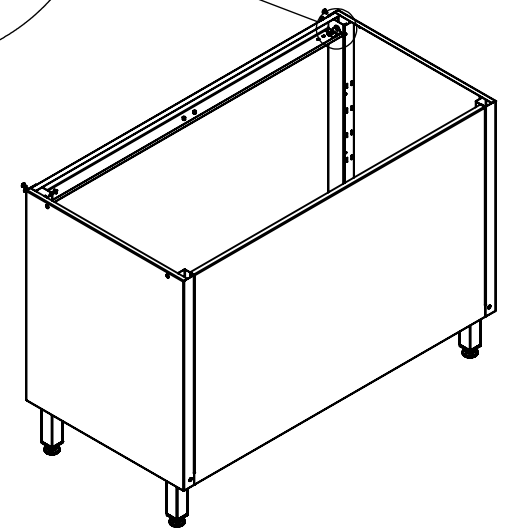
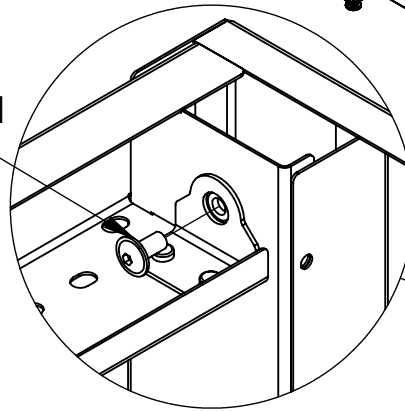
8 x2



8 x1

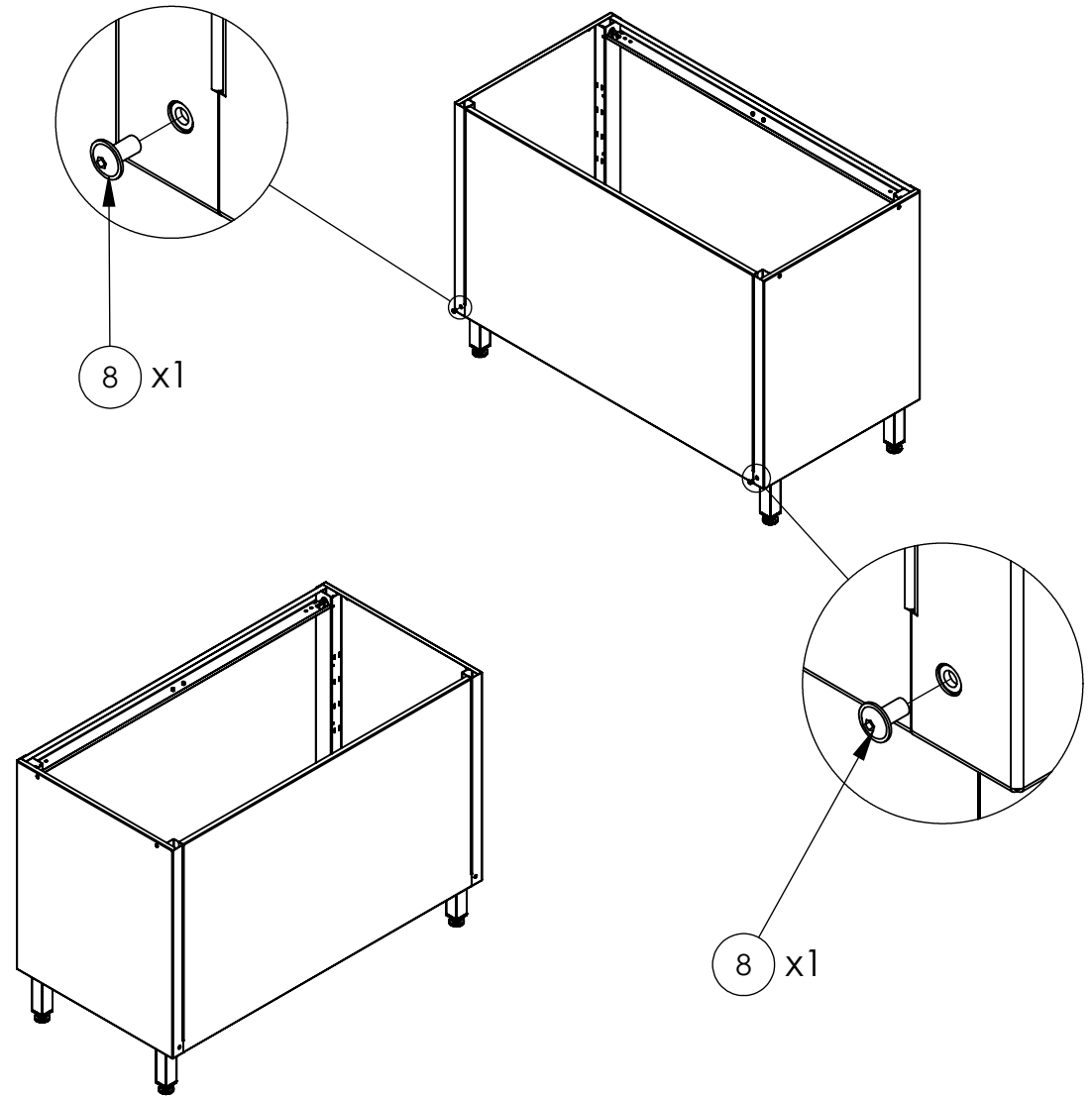
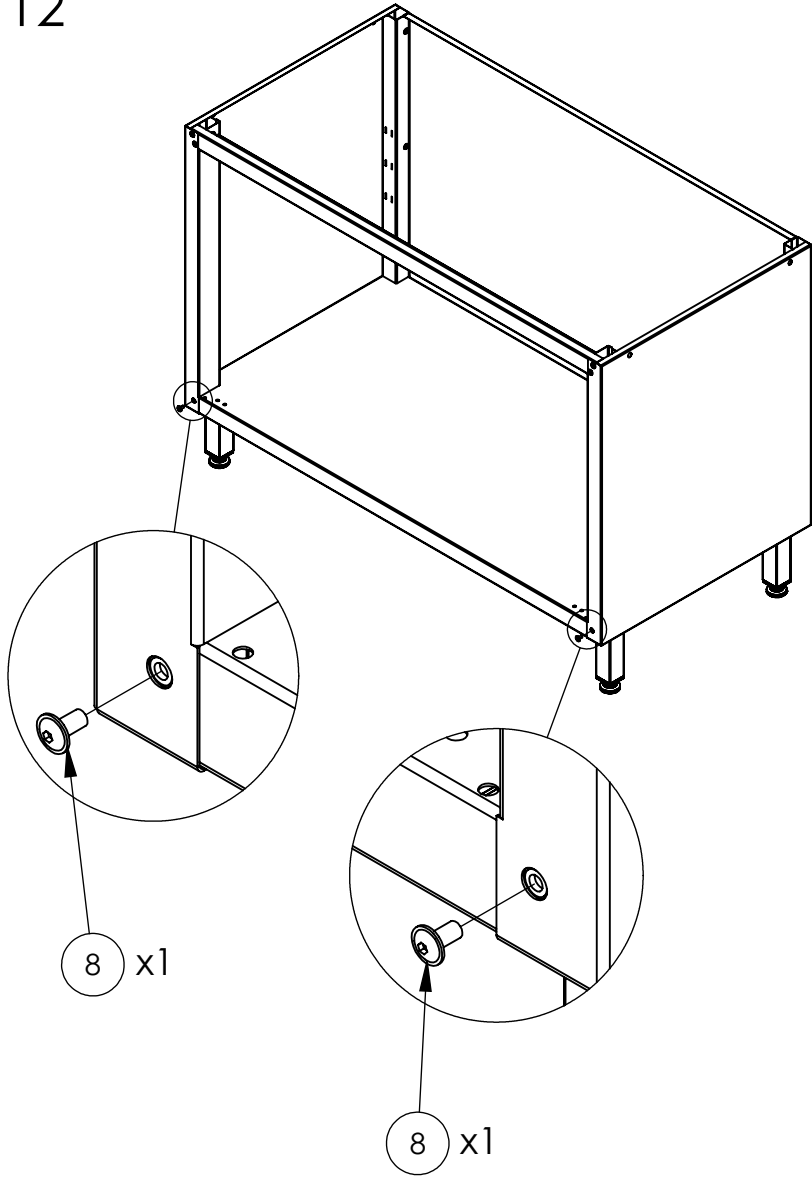


8 x1

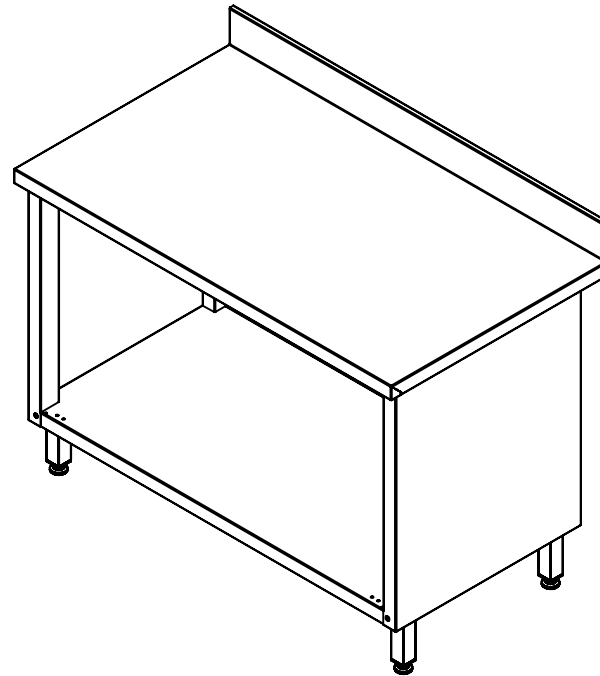
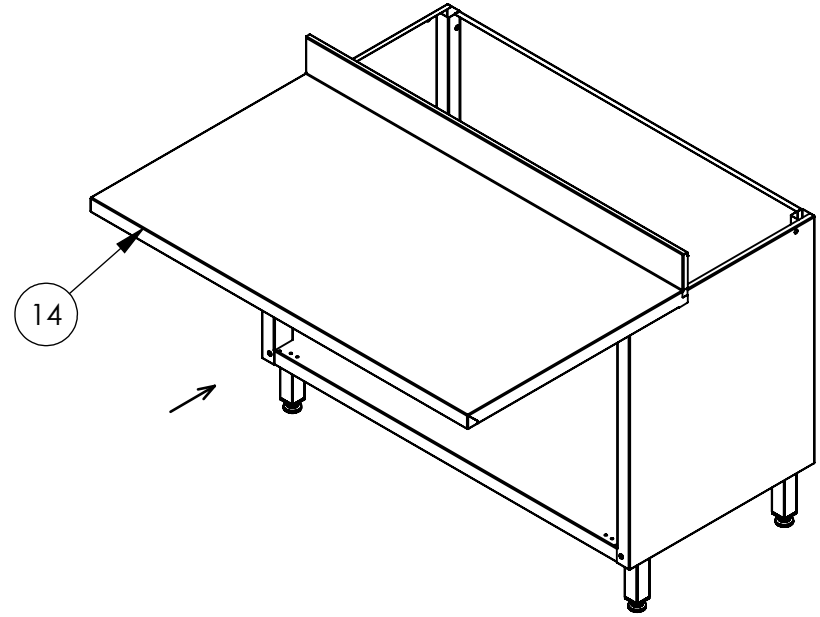
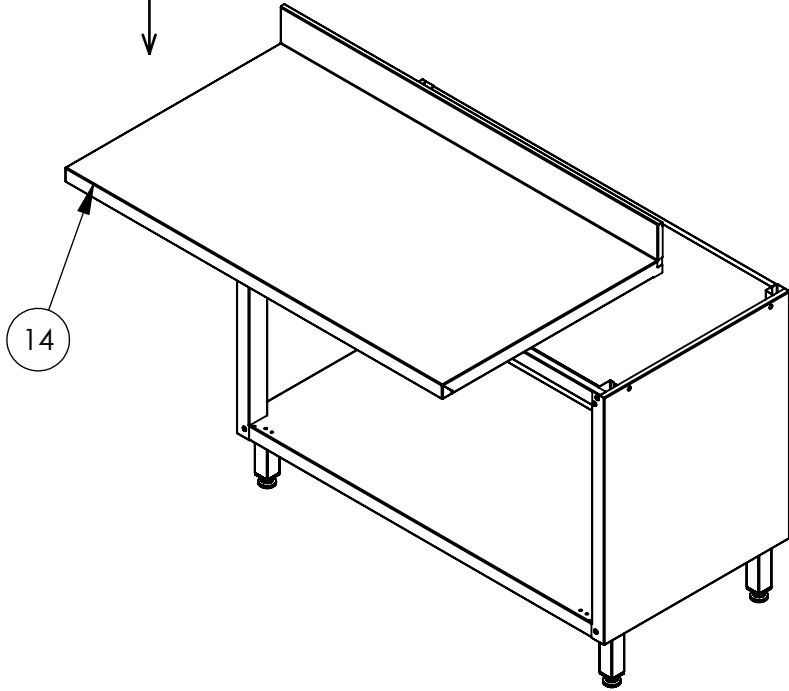


8 x2

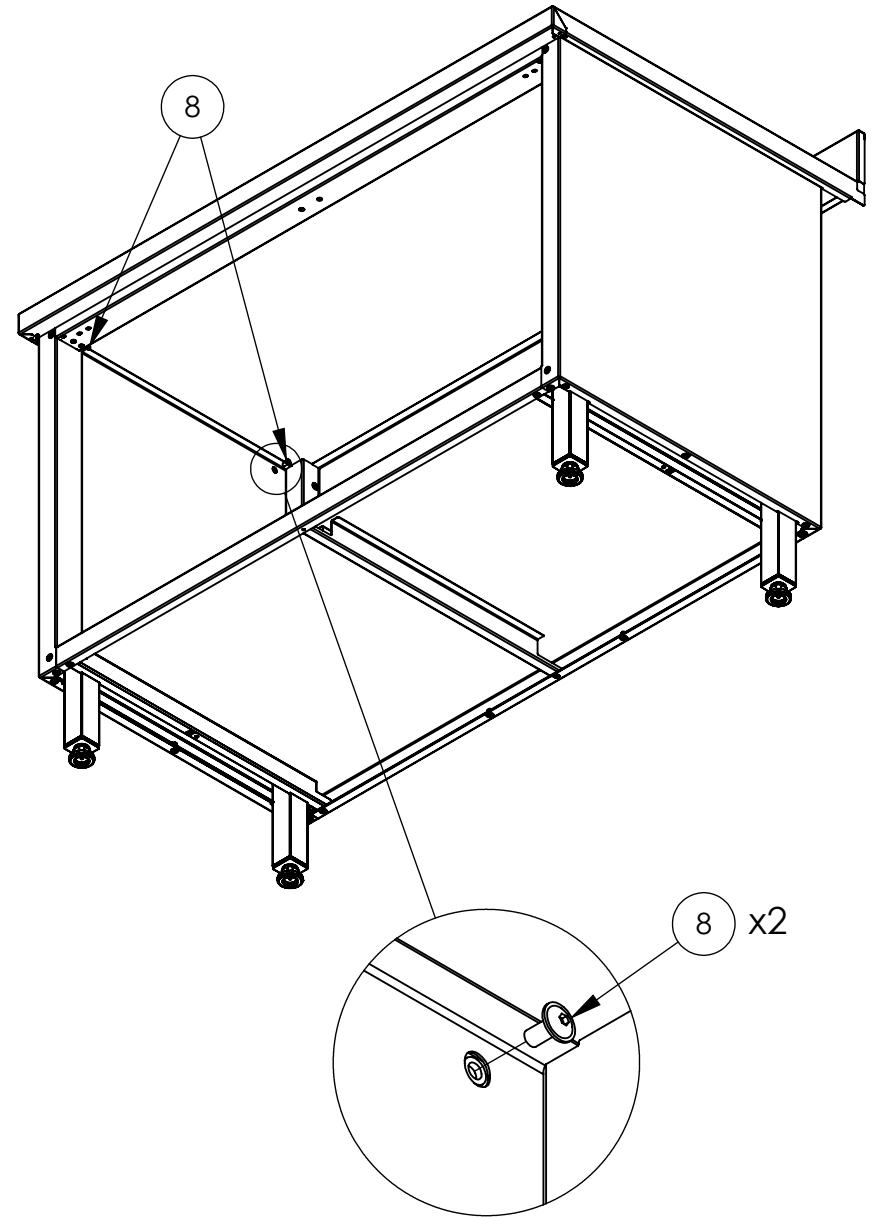
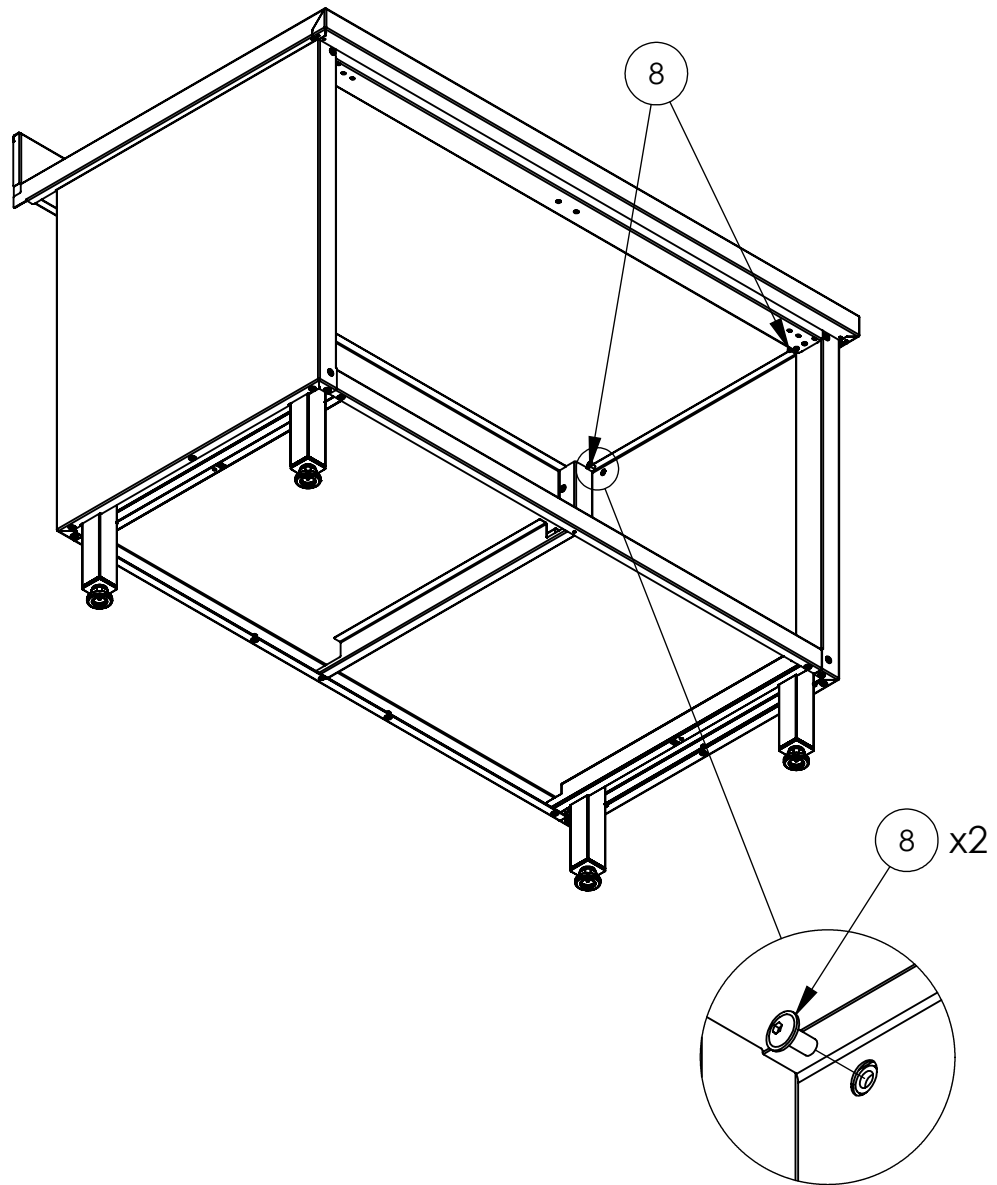
12



13



14

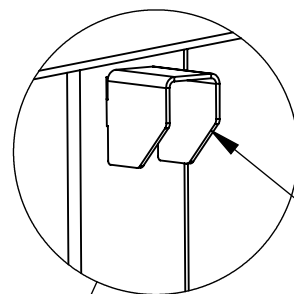
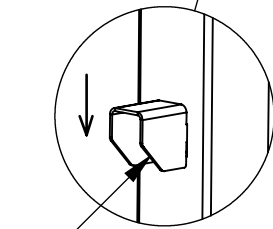
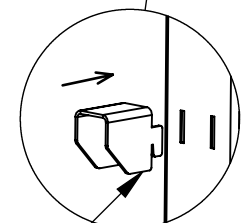
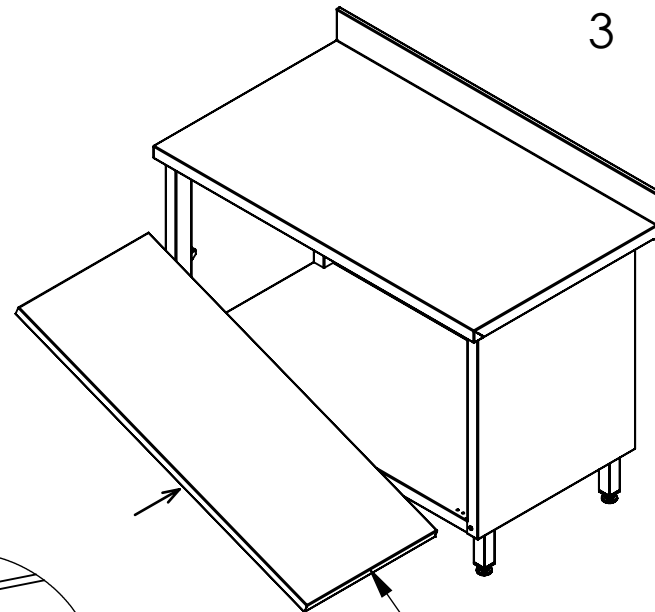
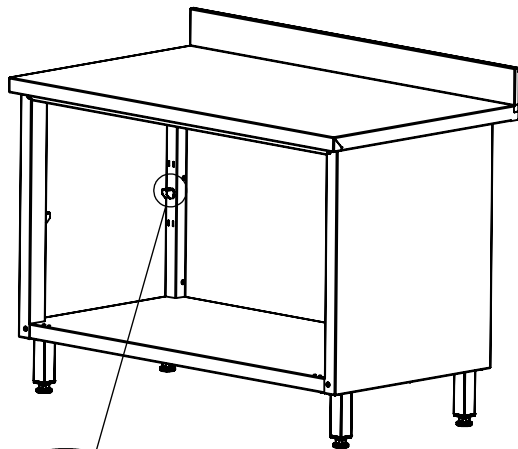
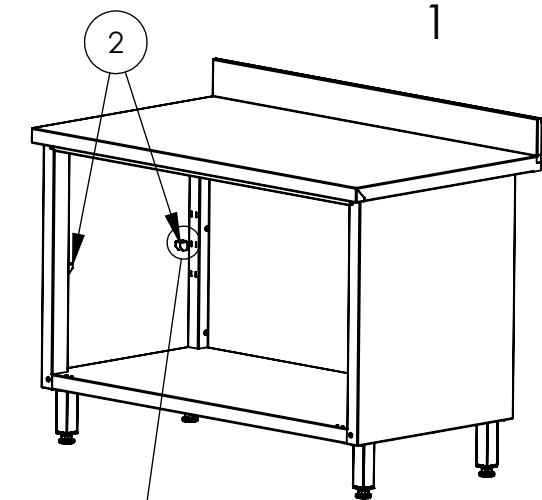


15

1

2

3



2 x2

2 x2

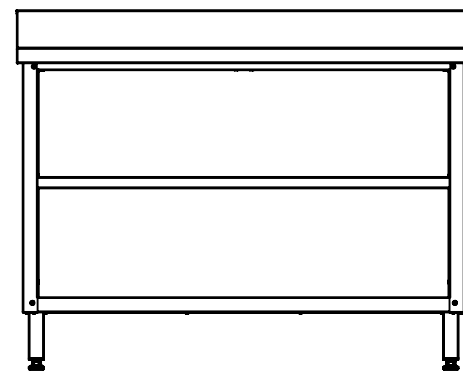
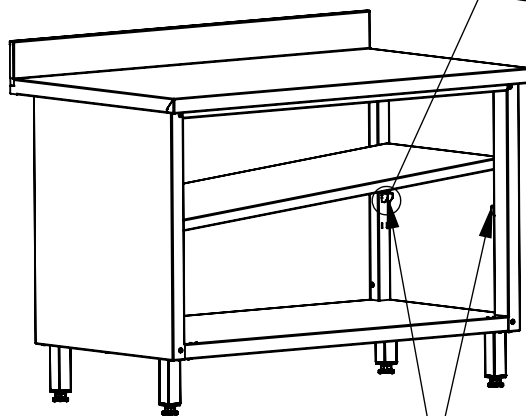
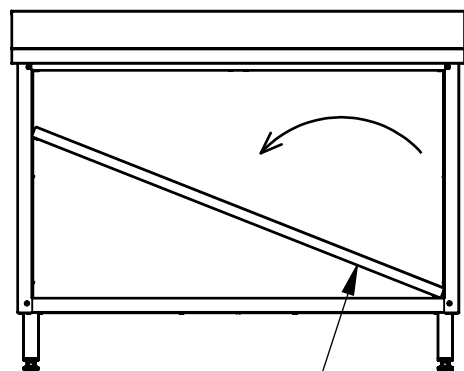
2 x2

16

4

5

6

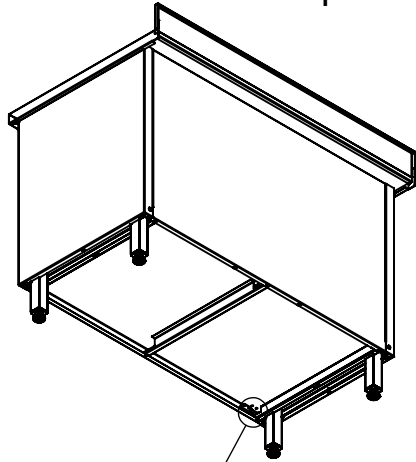


16

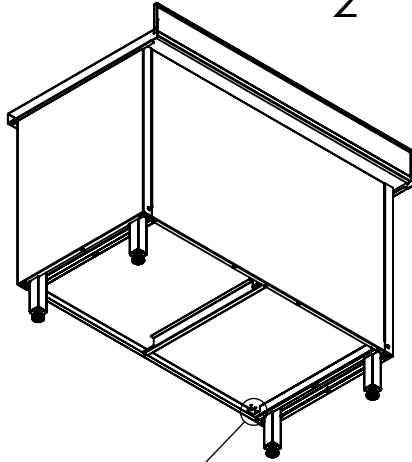
2

16

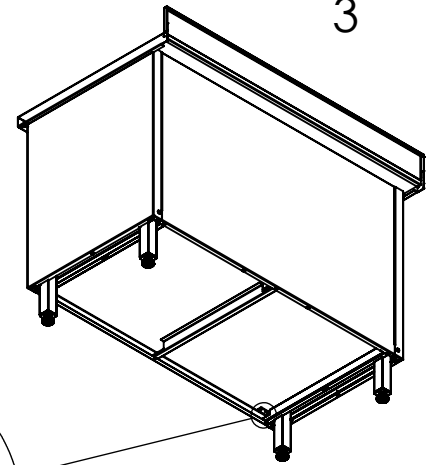
1



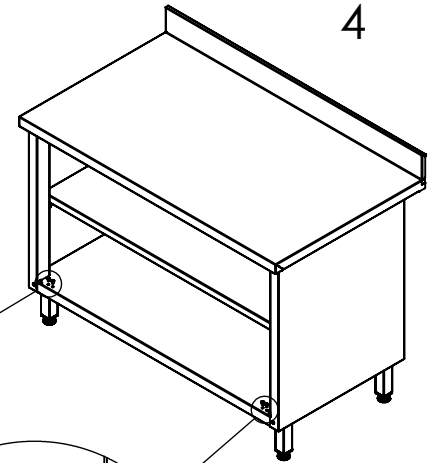
2



3



4



3

3

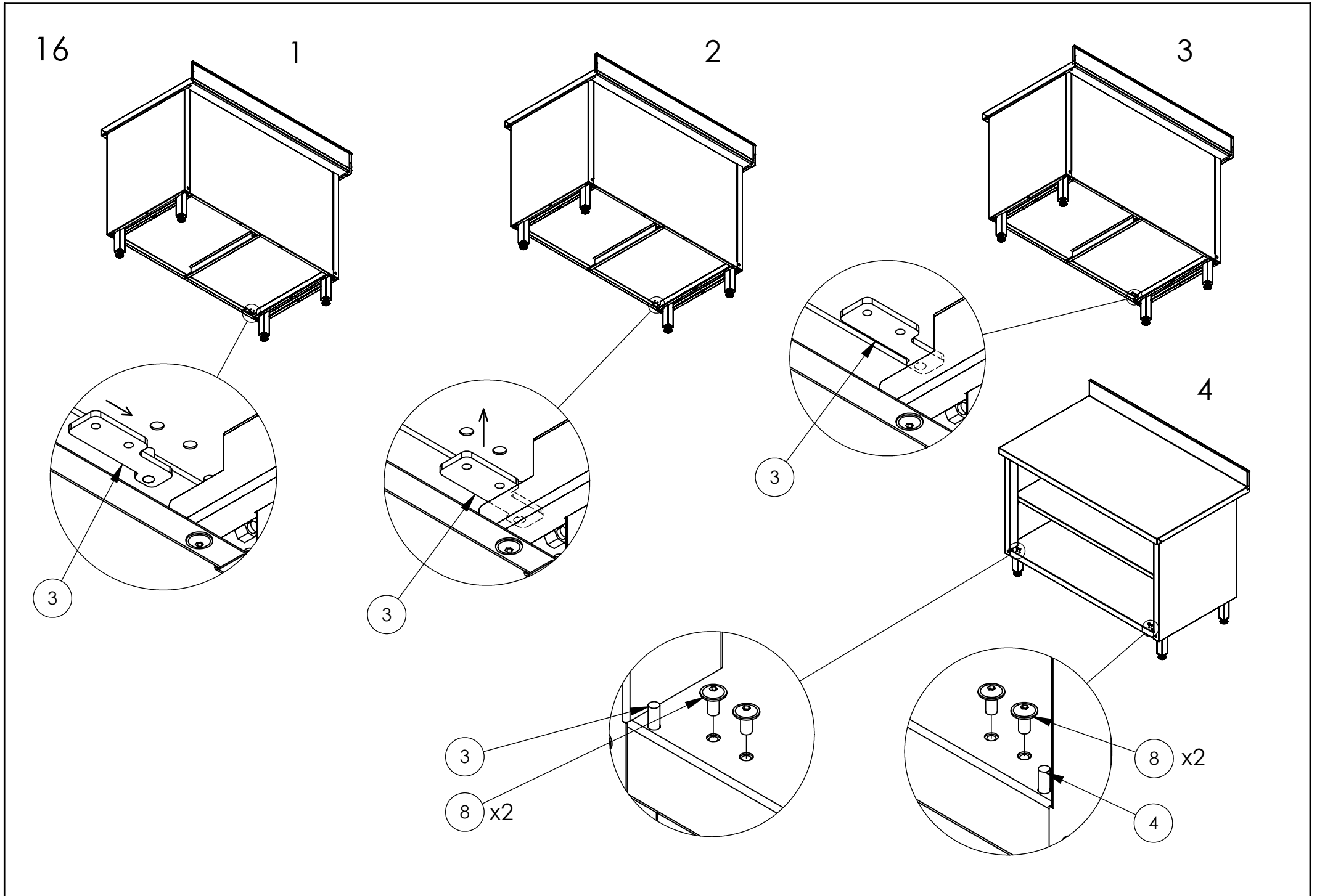
3

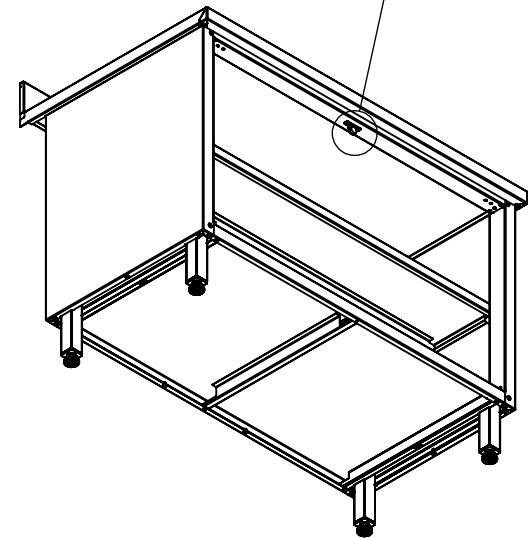
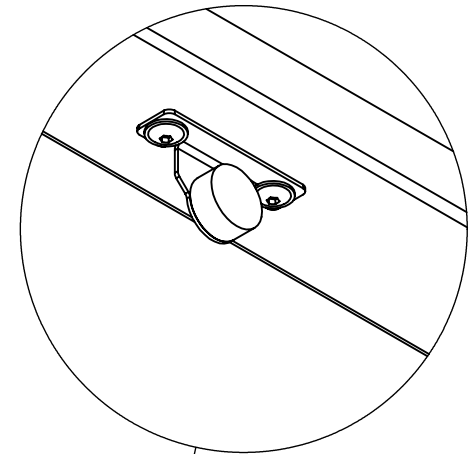
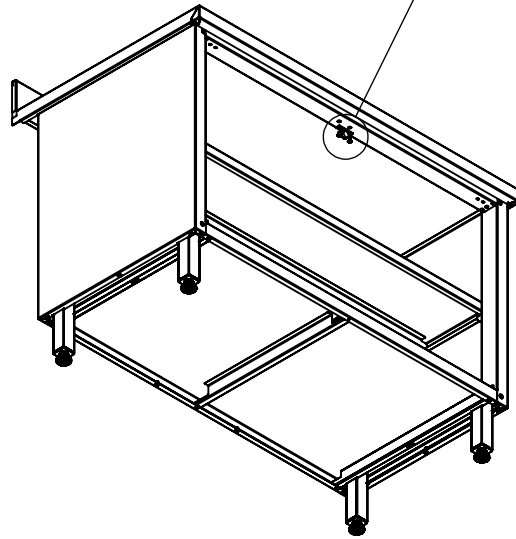
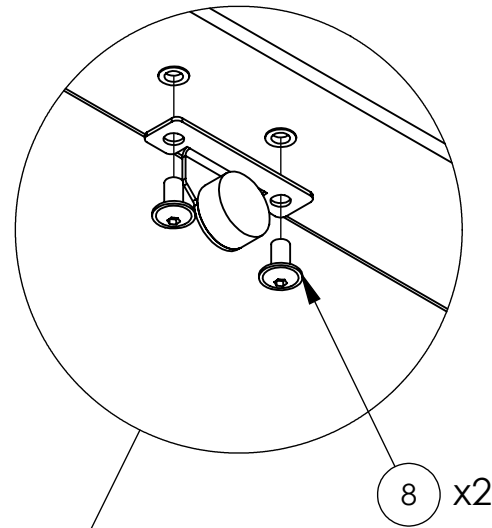
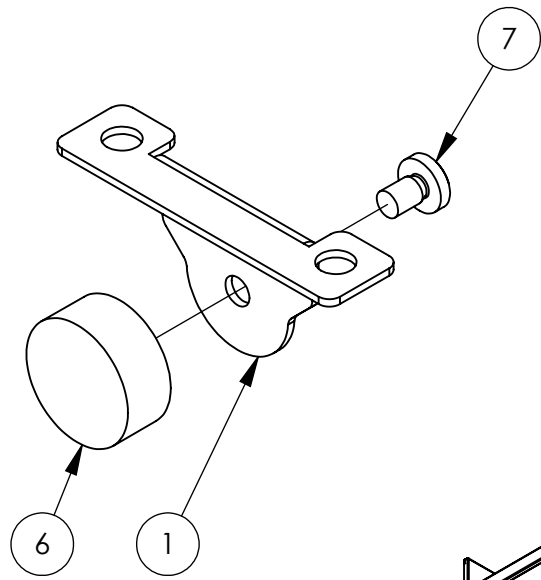
3

8 x2

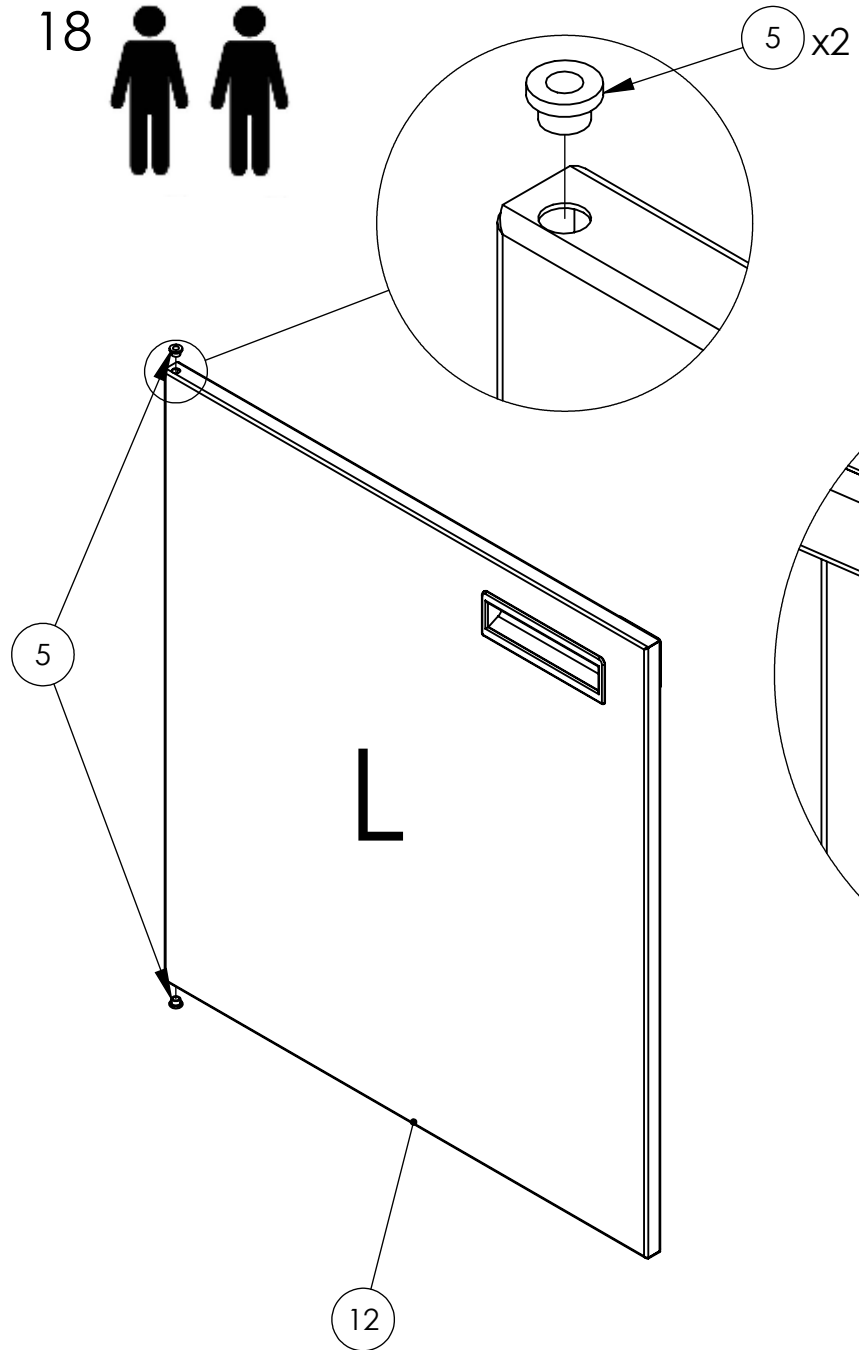
8 x2

4



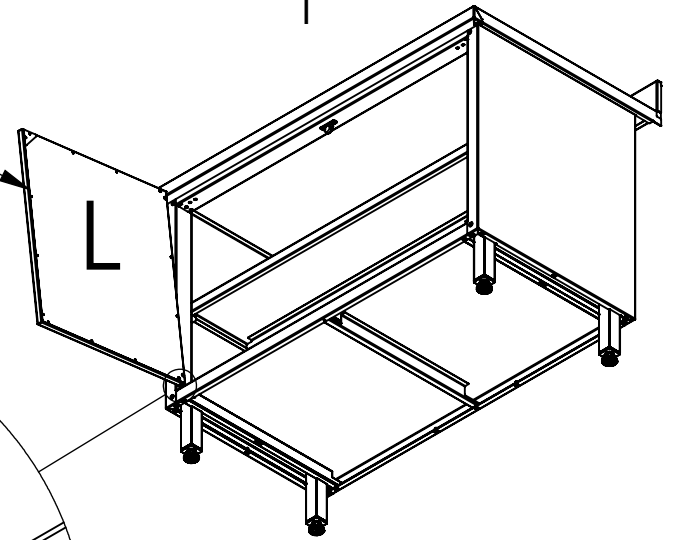


18

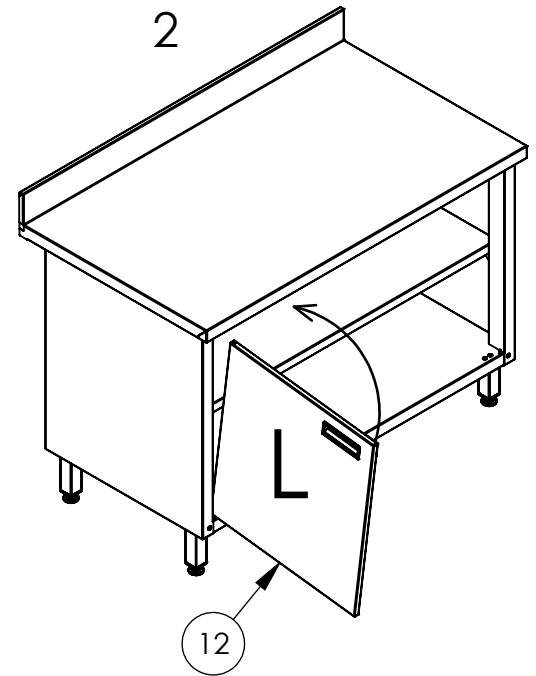


12

1



2



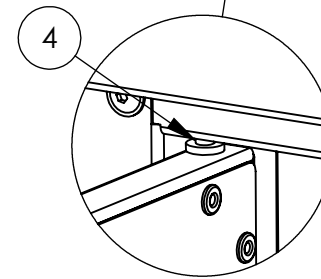
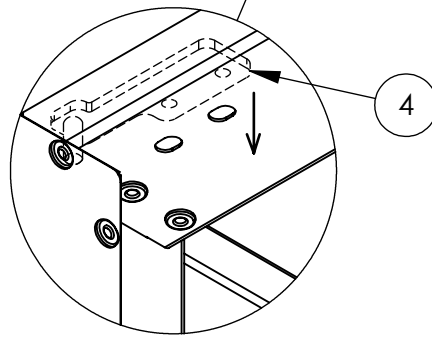
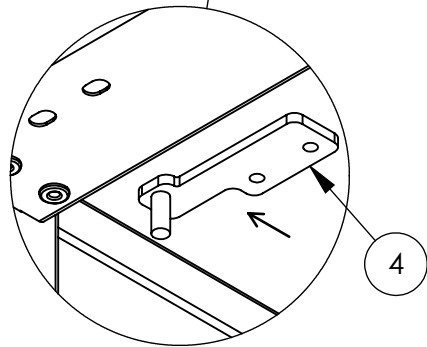
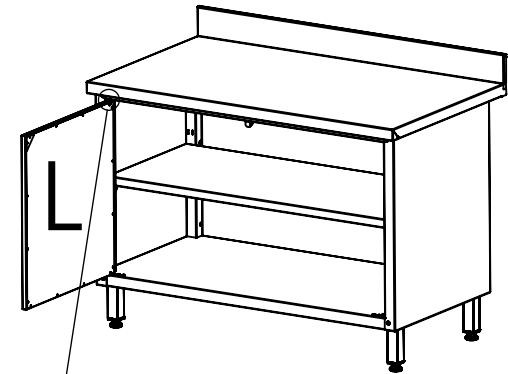
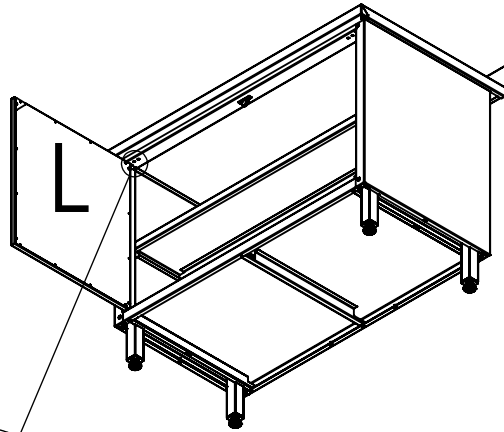
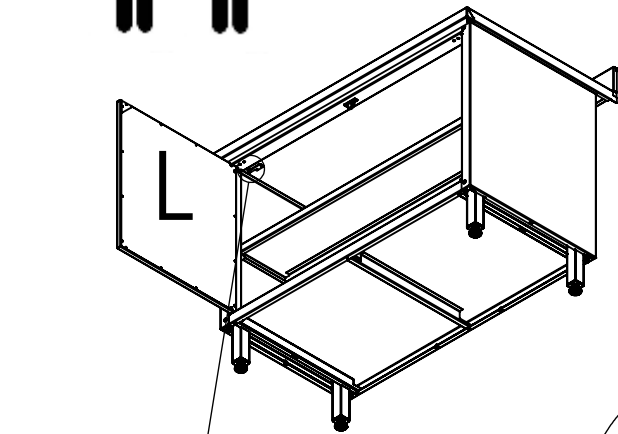
19



3

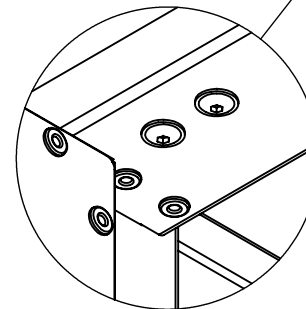
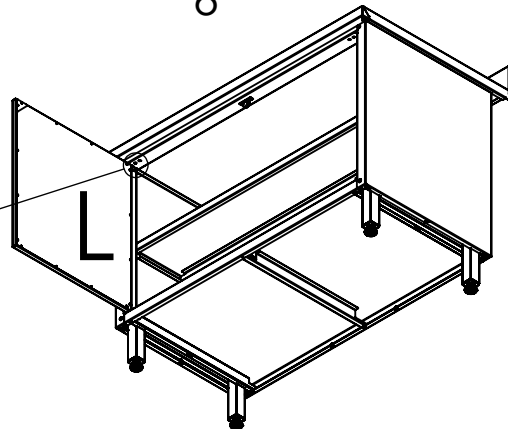
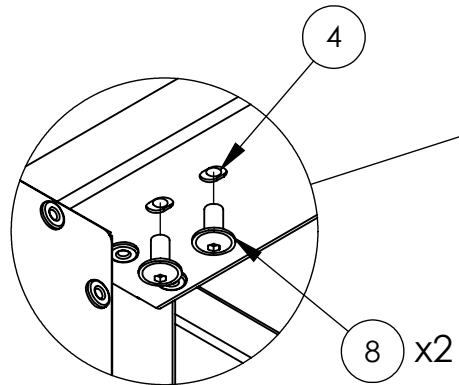
4

5

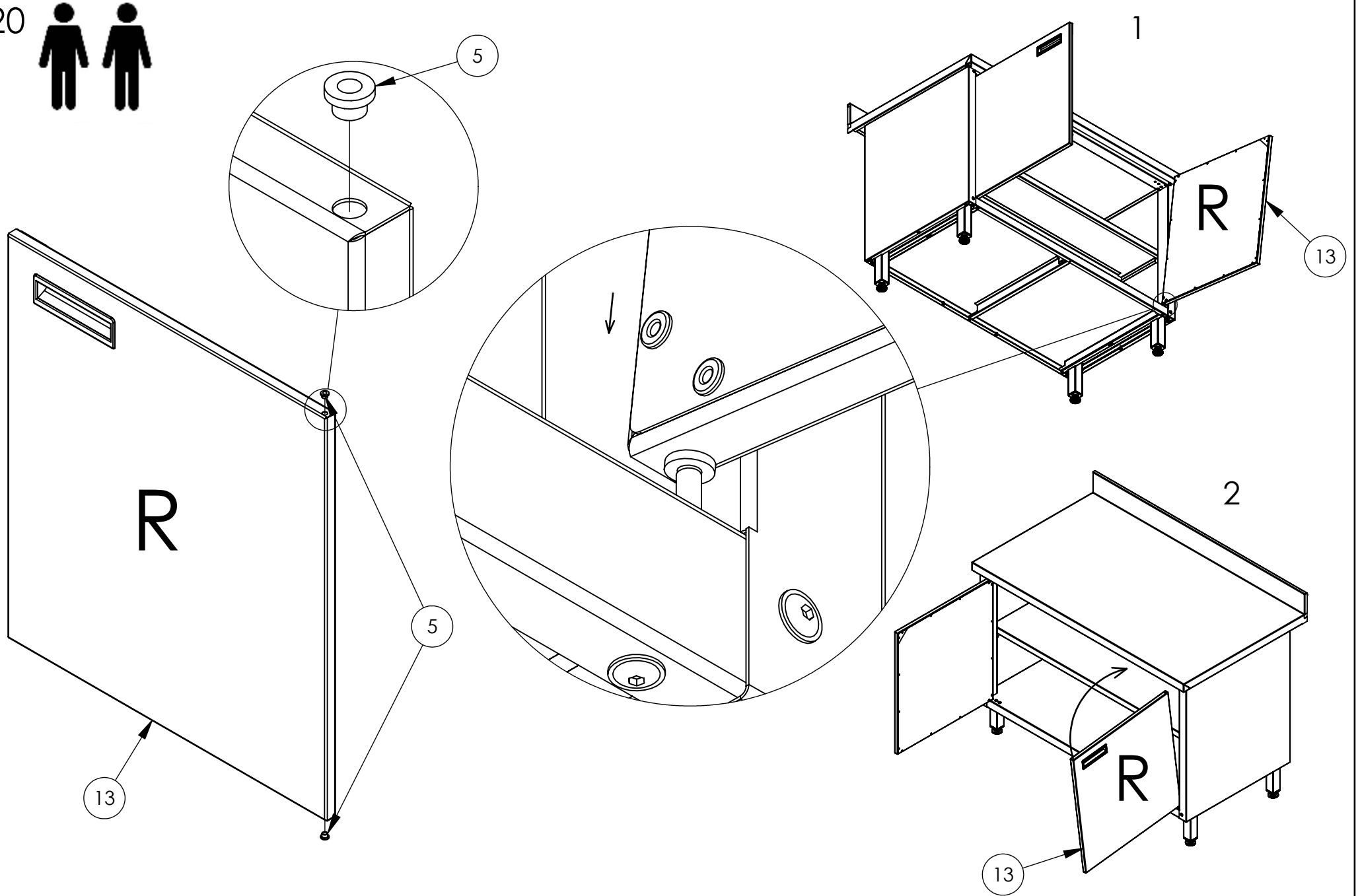


7

6



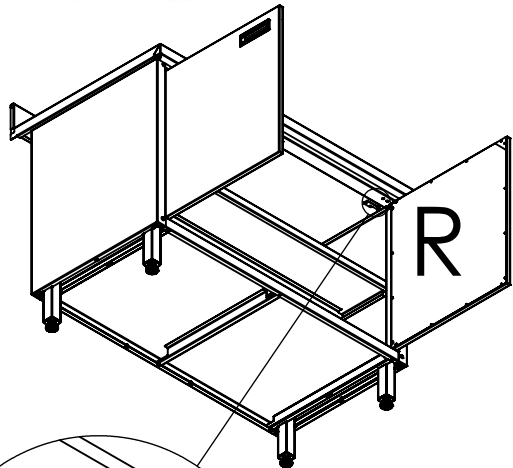
20



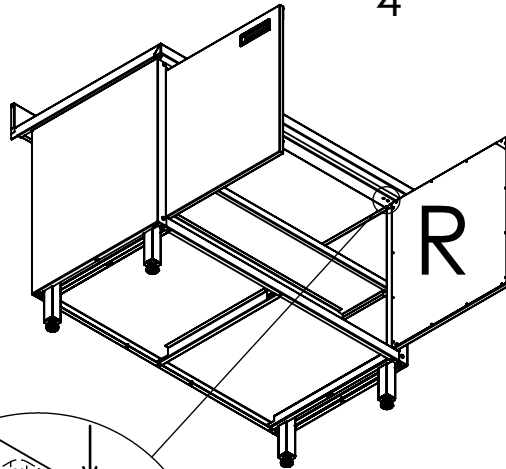
21



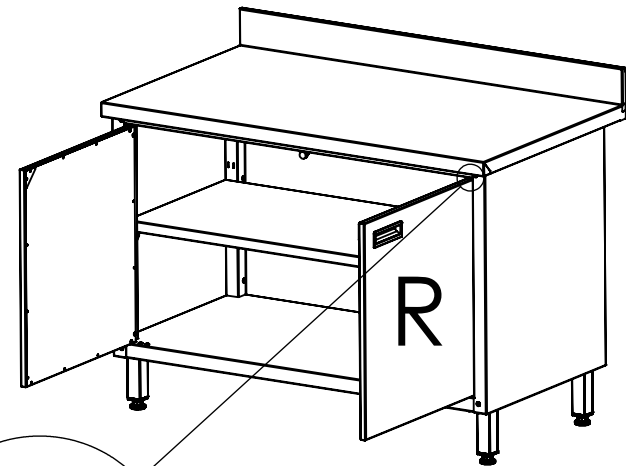
3



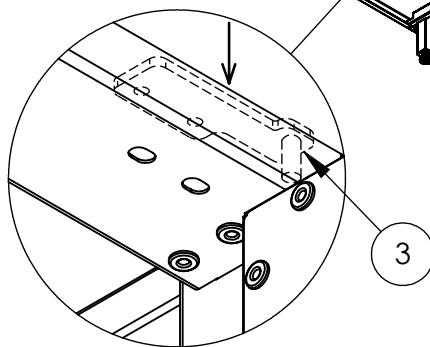
4



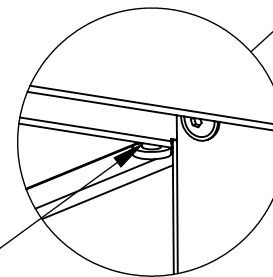
5



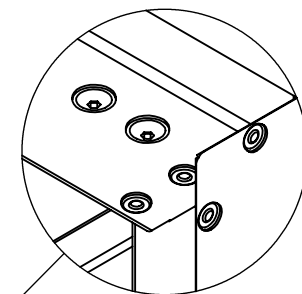
3



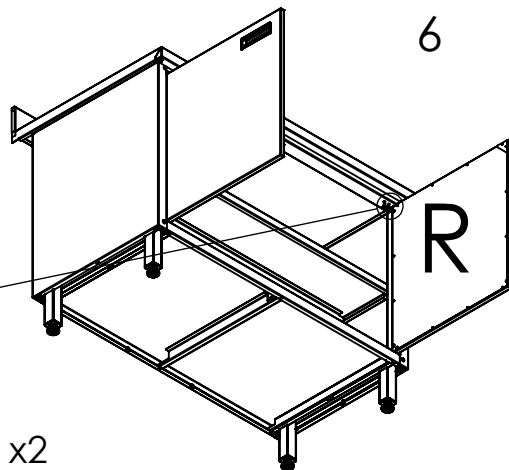
3



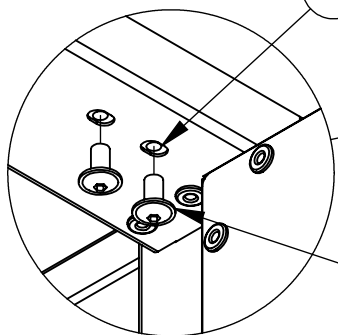
7



6



3



8 x2

R

R

22

